

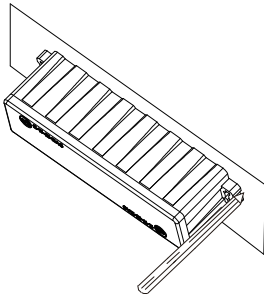
LED lighthead C4

- Meets and exceeds ECE R65 standards.
- Optimized LED reflectors maximize warning lights.
- Tiny size, wide angle lens, aluminum base.
- Application for car and truck.
- High intensity LED, easy to mount.
- Rugged, water resistant.
- Built-in 19 selectable flash patterns.

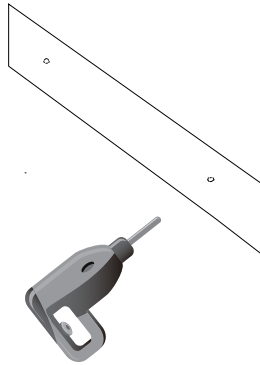
WASP



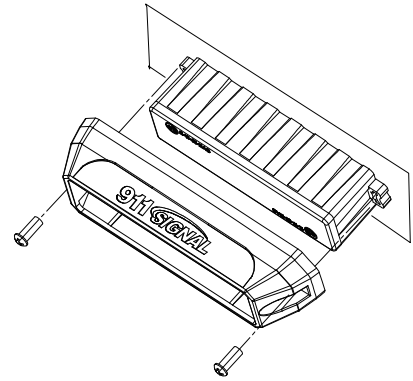
SURFACE-MOUNT



- ① Determine the mounting locations for the LED module



- ② Drill 2 holes on the mounting surface "



- ③ Install the LED module on the mounting surface by 2 screws

MOUNTING

- TO + 10-33VDC (fuse @ 3A) ———— RED
- TO Chassis Ground ———— BLACK
- For Simultaneous or Alternating Flash ———— WHITE
 - Group1 Heads: (wiring-White connected to RED) will flash together
 - Group2 Heads: (wiring-White not connected to RED) will flash together
 - Group1 Heads will alternate with Group2 Heads
- For Synchronization & Flash Patterns ———— YELLOW
 - Connect YELLOW wires of all heads together for synchronization

